

Thermoformed Pallet Feet

Custom made to fit any size pallet

The Thermoformed Pallet Feet come standard in HDPE but could be made of other materials. The Pallet Feet come in "corner" or "middle" design. They can be thermoformed in any material thickness, but we carry in stock 3 thicknesses: .160", .200" and .250".

They can be used for boxes or special size pallets, using TriPly or Cross X material for the deck of the pallet. The "lip" design allows for increased rigidity and payload."

PF 160

Thickness:160 in
Material: HMWPE
Maximum Payload..... 300 lbs

PF 200

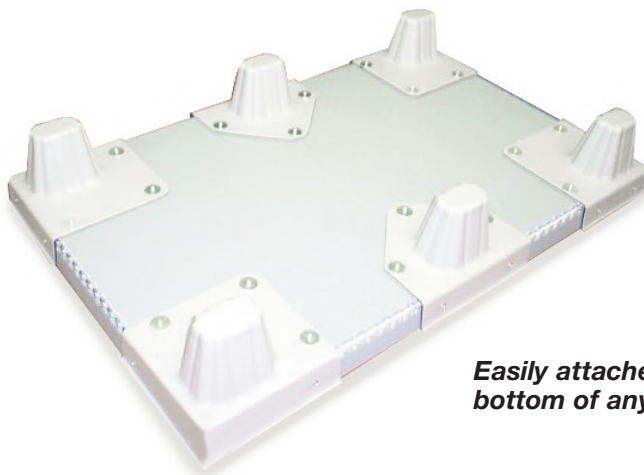
Thickness:200 in
Material: HMWPE
Maximum Payload..... 700 lbs

PF 250

Thickness:250 in
Material: HMWPE
Maximum Payload..... 1,100 lbs



Available in 3 thicknesses for up to 1,100 lbs of payload.



Easily attaches to the bottom of any pallet.



Keeps product off the floor and allows for use of forklift.

ADVANTAGES:

- Extremely Lightweight and Rigid
- High Compressive and Impact Strength
- Moisture Resistance
- Suitable for Contact with Food and Water
- Excellent Chemical Resistance

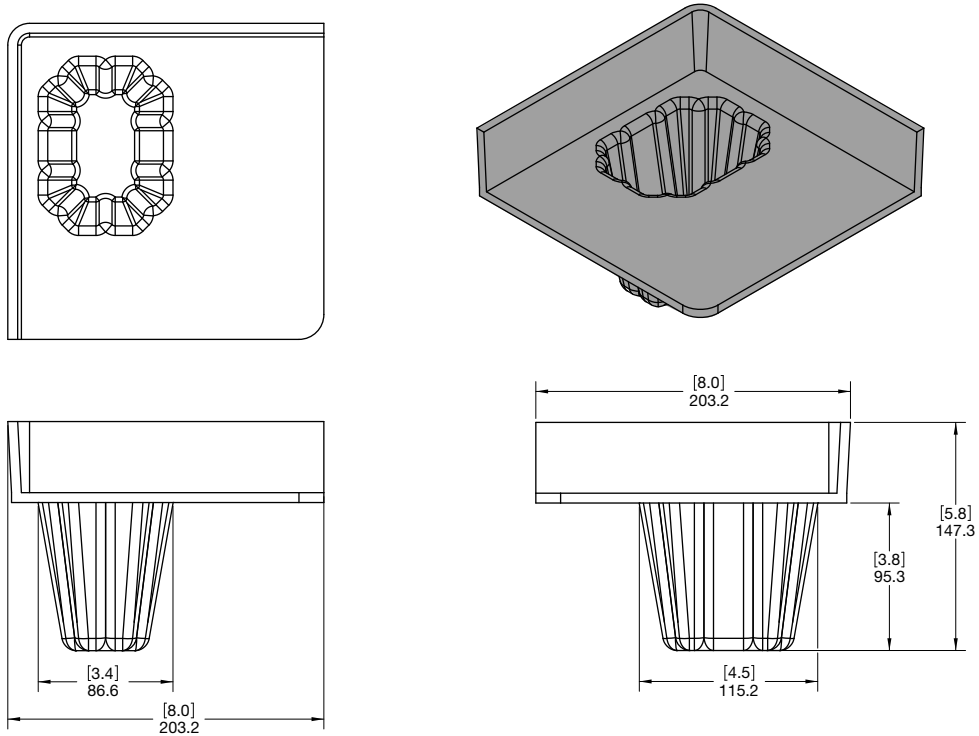
OPTIONS:

- Custom Sizes
- Custom Colors
- Custom Imprinting
- ESD Conductive 10/4 to 10/8 ohms
- UV Resistant



Pallet Feet

CORNER FOOT



CENTER FOOT

